



Skyfol[®]
Film Solutions

PPF_{Nano}³
paint protection film



Skyfol PPF Nano 3 is an outstanding paint protection film with excellent self-healing and hydrophobic features. The PPF Nano 3 performs very similarly to PPF Nano 2.0 previously – with even better characteristics and upgraded coating, with a total thickness of 200 µm.

FEATURES OF THE SPECIAL TOPCOAT



MaxFlexibility

Very easy to install, no more adhesive marks on dark coloured cars.



DuraShield

Its high quality makes the film totally resistant to external exposure.



H2ORepel

Due to its water-repellent feature, the surface is very easy to clean.



SuperGloss

Thanks to its special manufacturing technology, surface gloss is perfect, so it perfectly fits the paint.



GravelGuard

The paintwork will be protected from stone chips and other physical impacts.



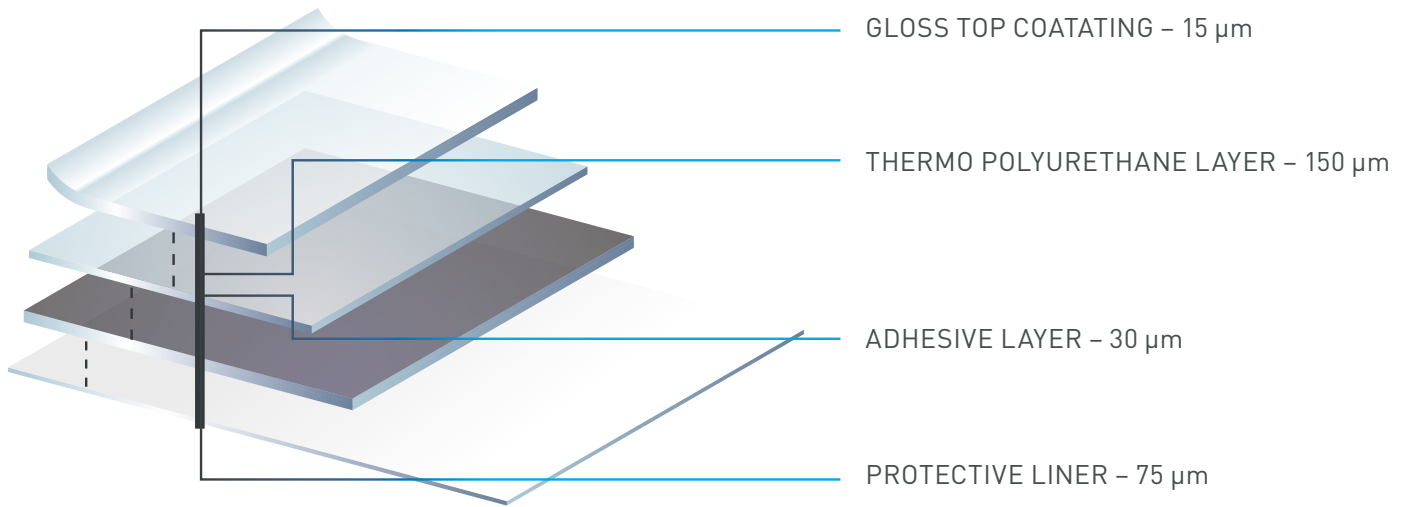
ScratchCure

Microscratches will disappear from its patented surface coating.

RAW MATERIAL:

Skyfol PPF Nano 3 is a biodegradable, polyester-based aliphatic thermo polyurethane film. As it is resistant to orange peel, yellowing and UV, it is widely used for the exterior surface protection of vehicles.

STRUCTURE OF THE FILM



TECHNICAL FEATURES

Thickness of the polyurethane film:	150 µm
Gloss value:	> 96
Tensile strength:	20N
Adhesive:	Repositionable, non-yellowing, crystal-clear acrylic adhesive
Resistance:	The film is resistant to general-use automotive fuels
Shelf life:	1 year, stored optimally at 22°C and with relative humidity 50%

TECHNICAL SPECIFICATIONS:

technical data, recommendations, and other statements contained in this document are based on tests and experimental data that we believe to be reliable but whose accuracy and completeness are not guaranteed.

PRODUCT USE:

in actual use, many of the factors beyond the control of Skyfol can affect the performance of the product. Due to the diversity of factors affecting product performance, it is entirely the responsibility of the user to make sure that the film is suitable for the actual use.

PRODUCT SAFETY:

the product is a urethane film with residual solvent odour, but it does not release hazardous chemicals under normal use.

LIMITATION OF LIABILITY:

with the exception of statutory prohibitions, Skyfol shall not be held liable for any direct, indirect, special or incidental loss or damage related to the Skyfol product, regardless of any legal, statutory (warranty, contract), negligence or objective liability.

WARRANTY & EXPECTED DURABILITY

The installer assumes a 10-year warranty on the installation. The warranty period begins on the date of the invoice issued for the installation. The warranty applies only if installation is carried out on the original factory paintwork. The warranty is non-transferable and applies only to the original customer.

Expected durability periods is 10-year. The expected durability of the film concerns the non-appearance of yellowing and surface cracks. In case of problems due to material defects, Skyfol undertakes to replace the material. The value of the claim shall not exceed the gross purchase price indicated on the invoice for the sale of the product. The warranty does not cover damage caused by improper use, accidents, improper installation and normal wear and tear of the product, neither dents caused by stones and road debris. Before installing the film on headlights, check local legal regulations that may vary by region. Skyfol does not warrant the PPF Nano material installed on headlights, nor takes any liability for related fines. The paint protection film can be ordered from official Skyfol distributors published at www.skyfol.com. Always consult the relevant Skyfol representatives who will inform you about roll sizes, minimum order quantities, prices and other business terms.

CONTACT:

For the selection of the material and to receive technical assistance for application, [visit our website at www.skyfol.com](http://www.skyfol.com)