



**Skyfol**<sup>®</sup>  
Film Solutions

**BabyGuard Boost 15**  
window film



**SKYFOL BABYGUARD BOOST 15 is an exceptional window film in the industry: TPU based material, which is characterized by the simple installation of PPF, meanwhile it has outstanding heat protection.** BabyGuard Boost 15 was developed only for coupes and sedans (not suitable for vehicles with rear wiper); PPF-like installation method ensures fast work. No more crawling inside the car during installation; not to mention dot matrix and even the defroster will no longer be a problem.

The BabyGuard Boost 15 shade fits perfectly into the BabyGuard series, it can be combined with window film on the side windows. **Visible light transmission of 15% VLT will be available in 2023, from next year the series will be expanded to: 5% & 30% VLT versions.**

## FEATURES OF THE FILM



### Heat Rejection

Extrem IR filtering (92%) and blocking 99% of harmful UV radiation.



### No more heat

The use of a heatgun will not be necessary, you do not need to be shrink the film.



### Scratch Cure

Microscratches will disappear from its patented surface coating.



### Easy Installation

Installation will be as fast as never before, thanks to TPU based material.



### Spotless

Say goodbye to dot matrix and defroster issues!



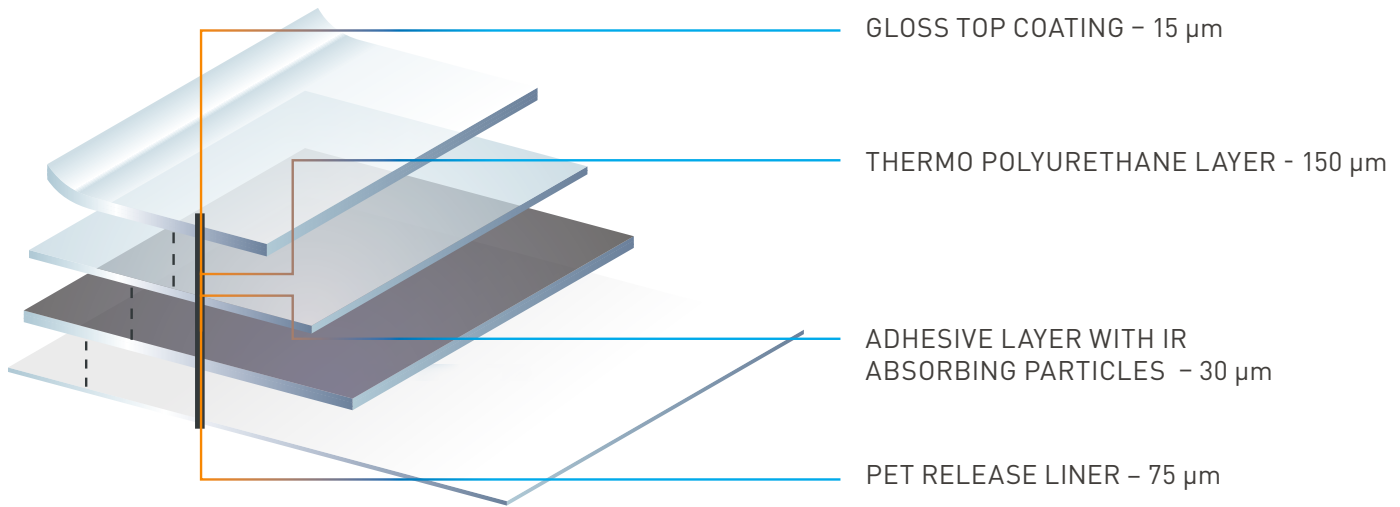
### Matching tint

Completely fits with the shades of BabyGuard window film series.

## RAW MATERIAL:

Skyfol BabyGuard Boost 15 is a biodegradable, polyester-based aliphatic thermo polyurethane window film. The material is resistant to orange peel, yellowing and UV, it is used for the rear windscreens of coupes and sedans.

## STRUCTURE OF THE FILM



## TECHNICAL FEATURES

<b>Thickness of the polyurethane film:</b>	150 µm
<b>Visible light transmission:</b>	15%
<b>Infrared rejection:</b>	92%
<b>Total solar energy rejection</b>	65%
<b>Adhesive:</b>	Repositionable, non-yellowing, crystal-clear acrylic adhesive
<b>Shelf life:</b>	1 year, stored optimally at 22°C and with relative humidity 50%

### TECHNICAL SPECIFICATIONS:

technical data, recommendations, and other statements contained in this document are based on tests and experimental data that we believe to be reliable but whose accuracy and completeness are not guaranteed.

### PRODUCT USE:

in actual use, many of the factors beyond the control of Skyfol can affect the performance of the product. Due to the diversity of factors affecting product performance, it is entirely the responsibility of the user to make sure that the film is suitable for the actual use.

### PRODUCT SAFETY:

the product is a urethane film with residual solvent odour, but it does not release hazardous chemicals under normal use.

### LIMITATION OF LIABILITY:

with the exception of statutory prohibitions, Skyfol shall not be held liable for any direct, indirect, special or incidental loss or damage related to the Skyfol product, regardless of any legal, statutory (warranty, contract), negligence or objective liability.

## WARRANTY & EXPECTED DURABILITY:

The installer assumes a **3-year warranty** on the installation. The warranty period begins on the date of the invoice issued for the installation. The warranty applies only if installation is carried out on the original glass.

**The warranty can be extended with using C-Coat by Skyfol ceramic coatings, according to the below table:**

3 years	without ceramic coating
5 years	applied C-Coat Value coating
7 years	applied C-Coat Pro coating

**Important: the treated surface must be refreshed every year with the suitable ceramic coatings.**

The warranty is non-transferable and applies only to the original customer. In case of problems due to material defects, Skyfol undertakes to replace the material. The value of the claim shall not exceed the gross purchase price indicated on the invoice for the sale of the product. The warranty does not cover damage caused by improper use, accidents, improper installation and normal wear and tear of the product, neither dents caused by stones and road debris.

The film can be ordered from official Skyfol distributors published at [www.skyfol.com](http://www.skyfol.com). Always consult the relevant Skyfol representatives who will inform you about roll sizes, minimum order quantities, prices and other business terms.

## CONTACT:

For the selection of the material and to receive technical assistance for application, [visit our website at www.skyfol.com](http://www.skyfol.com)